

# Poly Septic Tank 1500L

## Model No: SEP1500

Fully tested to Australian Standards (AS/NZS 1546.1:2008) our sepron Sep1500 (No Baffle) tanks are roto-moulded polyethylene tanks unique to sepron.

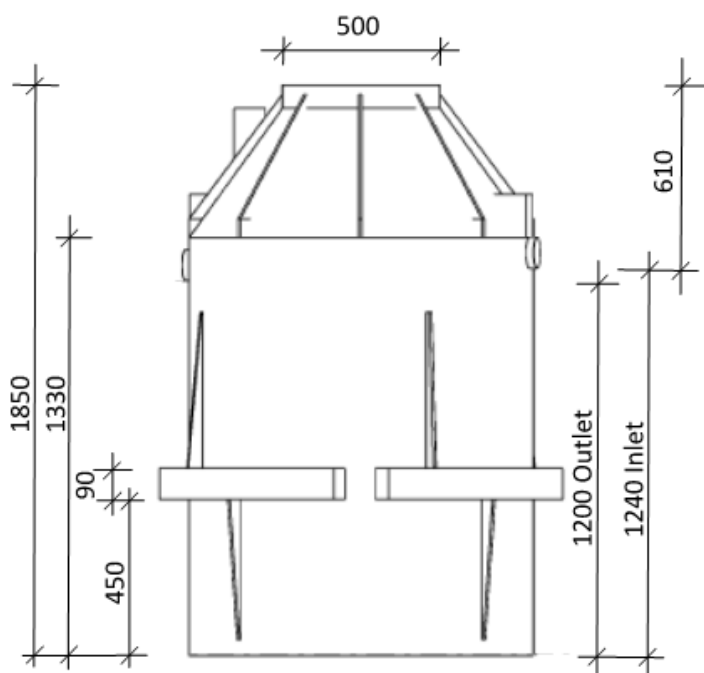
### Features

Manufactured and designed by sepron in Western Australia this product is lightweight yet durable for installation by the homeowner or contractor/builder. Anti Floatation ring incorporated into design. Supplied as a complete unit including lid, inlet and outlet, and “T” squares.

A very durable and lightweight septic tank (non trafficable) for easy transport and manoeuvring on site.

### Specifications

◆ Anti Flotation Ring	
◆ Weight	80Kg
◆ Height	1850mm—1900mm with Lid
◆ External Width (Including Anti flotation Ring)	1300mm
◆ Tank Inlet Level Height	1240mm
◆ Tank Outlet Level Height	1200mm



Australian Standard